

Simplicity Bubblers

Chilled Beverage Dispensers 2x9 L, agitator model with locking lid

ITEM # _____

MODEL # _____

NAME # _____

SIS # _____

AIA # _____



CCCRKT (ECS2E22)

Chilled Beverage Dispenser with 2x9 liter bowls with agitator and locking lid, R290

Short Form Specification

Item No. _____

Chilled beverage dispenser, 2x9lt, with agitation function for fresh juices, coffees, or teas with minimal foaming system. Dispense 2 flavors in 9lt easy-clean bowls with 23cm cup clearance. Easy-off bowl release system for faster and easier assembly and disassembly. Bowls with locking lid for added safety against tampering.

Temperature range from 1.7 - 5° C. Pre-mix dispenser with stainless steel base and clear plastic bowls. Compact size of 27 cm.

Main Features

- Agitation function for fresh juices, coffees, or teas with minimal foaming system.
- Dispense 2 flavors in 9 L easy-clean bowls with 23 cm cup clearance.
- Easy-off bowl release system for faster and easier assembly and disassembly.
- User friendly design enables machine to dispense product till the very last drop.

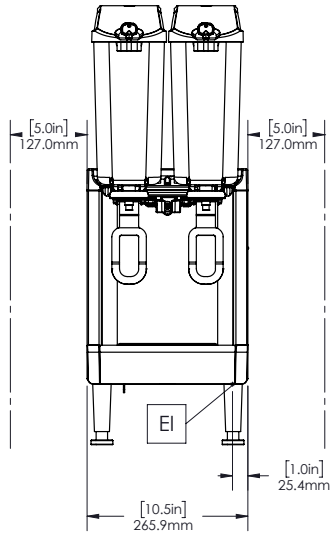
Construction

- Compact size of 27 cm wide saves valuable counter space.
- Temperature range from 1.7 - 5° C.
- Refrigerant type: R290.
- Pre-mix dispenser with stainless steel base and clear plastic bowls.
- Fewer removable parts to simplify cleaning and reduce maintenance.
- The air intakes from the bottom and exhaust to back.
- Locking lid for added safety against tampering.

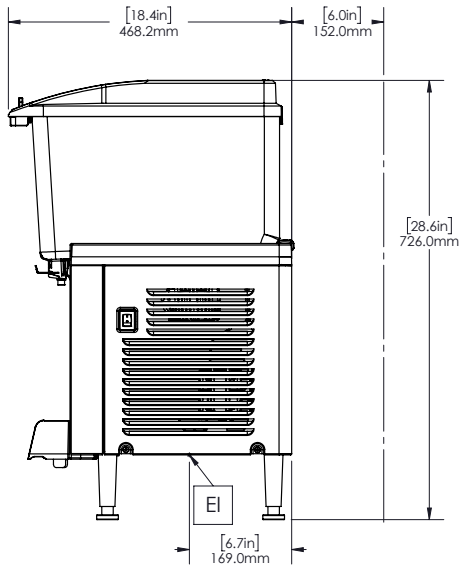
APPROVAL: _____

Simplicity Bubblers Chilled Beverage Dispensers 2x9 L, agitator model with locking lid

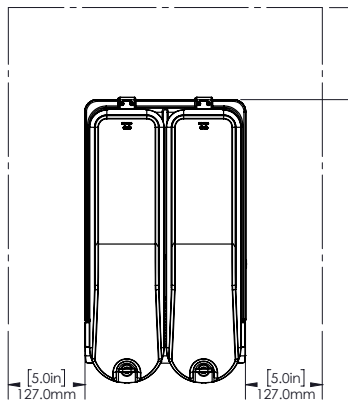
Front



Side



Top



Electric

Supply voltage:

CCCRKT (ECS2E22) 220-240 V/1N ph/50/60 Hz

Electrical power max.:

0.4 kW

Key Information:

| | |
|------------------------------|------------------------|
| External dimensions, Width: | 267 mm |
| External dimensions, Depth: | 451 mm |
| External dimensions, Height: | 729 mm |
| Net weight: | ISO 9001; ISO 14001 kg |
| Shipping weight: | 24 kg |
| Shipping height: | 530 mm |
| Shipping width: | 380 mm |
| Shipping depth: | 480 mm |

Sustainability

| | |
|---------------------|------|
| Refrigerant type: | R290 |
| Refrigerant weight: | 50 g |